

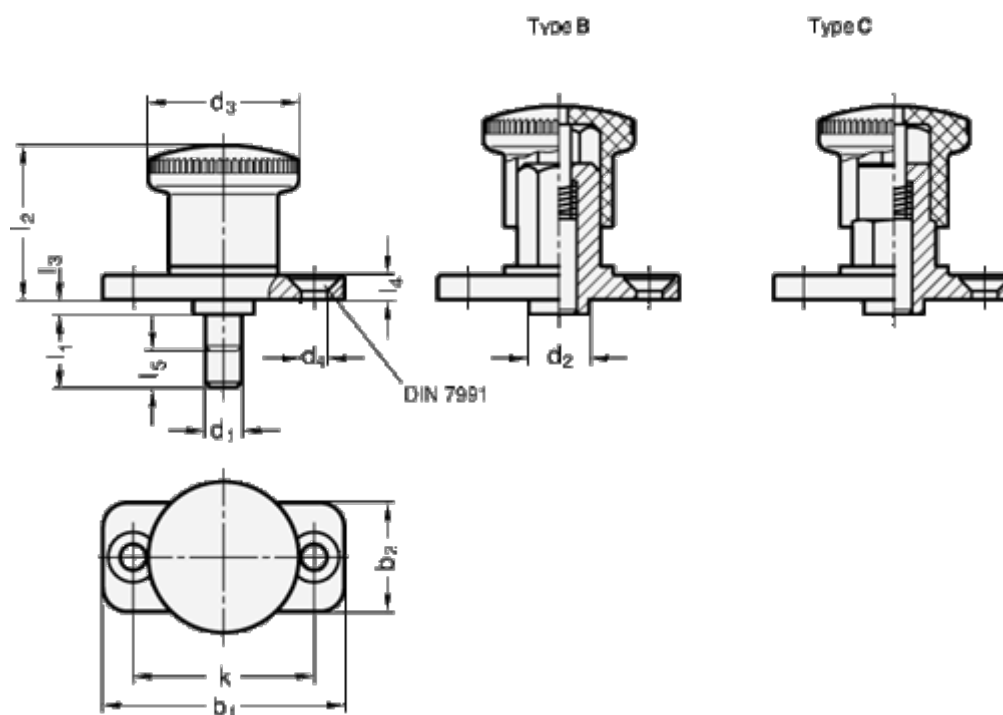
# Data Sheet



Article number: 208228410B

Description: E+G Mini indexing plunger  
without rest position, GN 822.6-4-10-B

## Measures



$b_1 = 35$	$l_2 = 21$
$b_2 = 15$	$l_3 = 2.0$
$d_1 = 4$	$l_4 = 4$
$d_2 = 8$	$l_5 = 5$
$d_3 = 21$	Spring load initial $N = 4$
$d_4 = 4.3$	
$k = 25$	
$l_1 = 27.5$	